



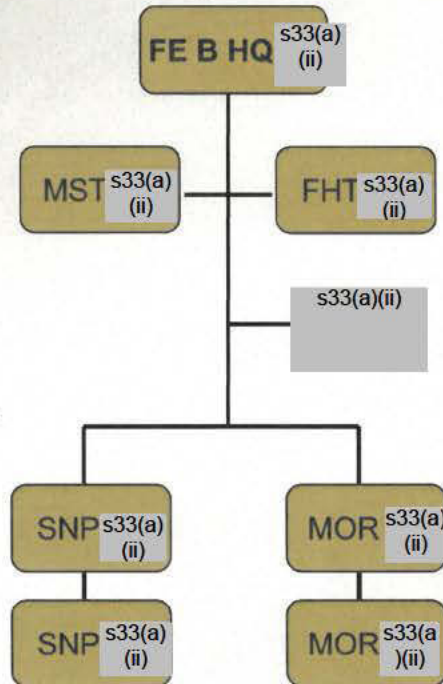
OP TEVARA SIN 7

CONFIRM ORDERS

CHQ/ATTS



HQB66 Force Structure



HQB66 :	
CHQ	s33(a)(ii)
Morts	s33(a)(ii)
Snipers	s33(a)(ii)
TERP	s33(a)(ii)
MST	s33(a)(ii)
s33(a)(ii)	s33(a)(ii)
AS TOTAL:	s33(a)(ii)
TOTAL:	



MISSION



TF66-B MISSION

TF66-B and s33(a)(ii) is to DISRUPT the INS TG network within CHENARTU during the period 10 – 15 Jun 10 IOT protect the population within URZ and SWK; enhance the security and FoM along Route BEAR and protect the Northern approaches to KC



EXECUTION

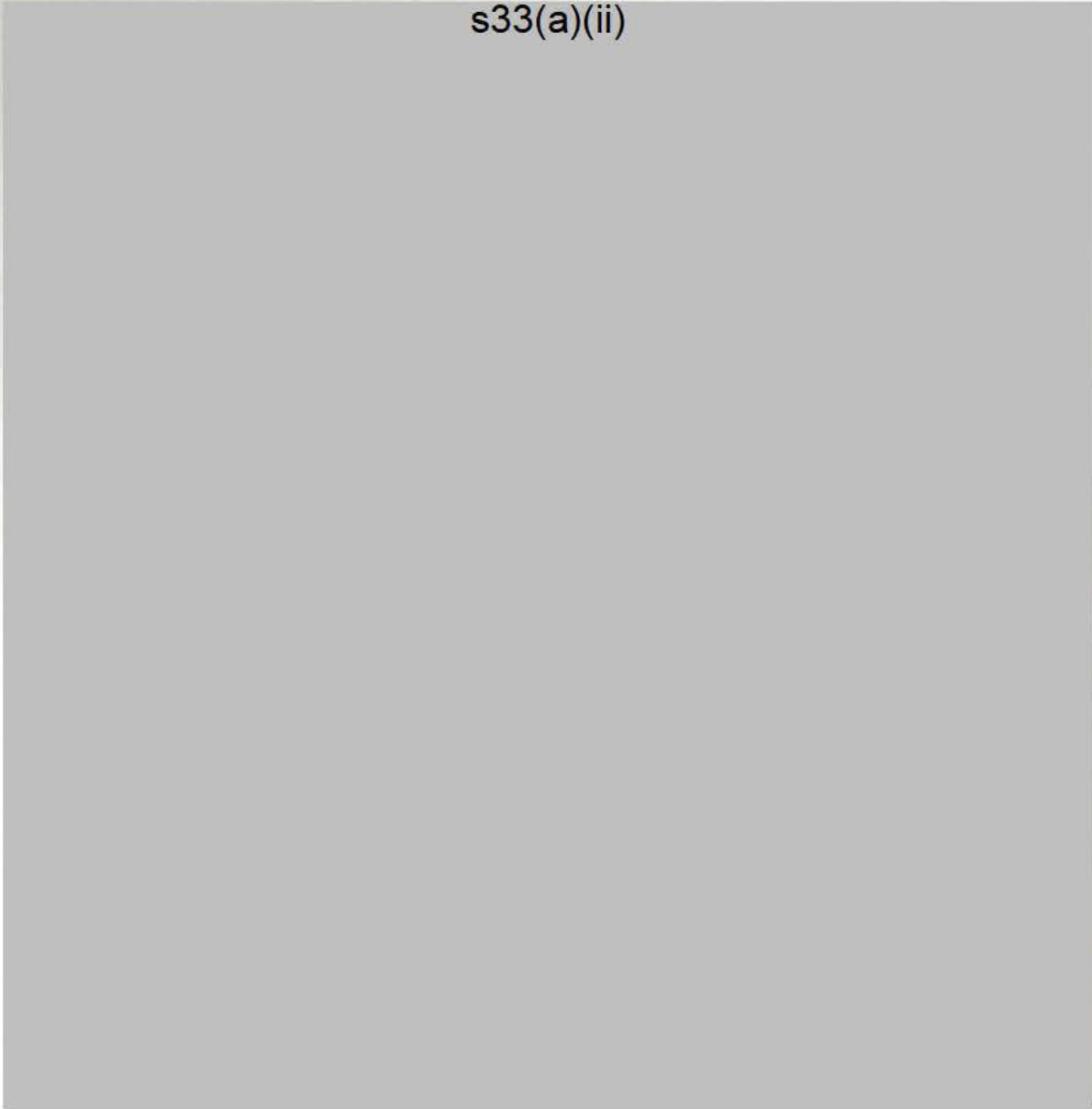


[REDACTED]

Ph 1 – Insertion of Sortie 1, TAI Clearance



s33(a)(ii)





Ph 2A – Insertion of Sortie 2, TAI

s33(a)(ii)



SOM

On completion of the 1st sortie, CHQ/Mor/Snp/Atts and the remainder fm s33(a)(ii) will s33(a)(ii), utilising 2 x CH47, into HLZ s33(a)(ii) and HLZ s33(a)(ii) fm approx 10 0030DE Jun 10. Post insertion CHQ elms will infil and occupy s33(a)(ii) (next slide). O s33(a)(ii) will have secured this s33(a)(ii) during Ph1. Snp will then foot infil to OP loc west of greenbelt

Gp and Tasks:

HQ B66:

Atts s33(a)(ii) MST s33(a)(ii) FHT s33(a)(ii)

- Tasks N/C

B66-MOR:

- Tasks N/C

B66-SNP

s33(a)(ii)

Spt Concepts:

N/C

s33(a)(ii)



[REDACTED]

HAF ALLOCATION

SORTIE 2



[REDACTED]

s33(a)(ii)

s33(a)(ii)

s33(a)(ii)

[REDACTED]

[REDACTED]

s33(a)(ii)

s33

s33(a)(ii)

[REDACTED]

[REDACTED]



Actions On – Ph2A



✦ Embarking acft at MBNTK

- ✦ s33(a)(ii) reversed onto acft and strapped down
- ✦ All PAX embark acft

✦ Dis-embarking acft at HLZ

- ✦ s33(a)(ii) will be unstrapped approx s33(a)(ii) to W/D
- ✦ s33(a)(ii) to dis-embark 1st, then PAX

✦ All others N/C



Coord Inst – Ph2A



Key Timings – 10 Jun 10

- 1st lift W/U MNBTK – O/A 09 2338DE Jun 10
- 2nd lift W/U MNBTK – O/A 10 0030DE Jun 10
- TOF approx 22min

Locations:

- HLZ [REDACTED] - 42S TA 372 595
- TAI [REDACTED] - 42S TA 3707 5940

Distance fm HLZ to TAI [REDACTED] – 200m



Ph 2B – CHQ infil to N CHENARTU



SOM

During POD 11/12 Jun 10, CHQ/Atts will conduct a foot infil to TAI [REDACTED] (next slide) and posture fm this strong point. B66-SNP will conduct MuP with CHQ en-route and continue to TAI [REDACTED]

Gp and Tasks:

HQ B66:

G: N/C

- Be prepared for O PI to MuP with CHQ
- Conduct dismounted infil to TAI [REDACTED]
- Remaining tasks N/C

B66-MOR:

- O/O prep mortars [REDACTED] for infil to TAI [REDACTED]
- Remaining tasks N/C

B66-SNP

- BPT MuP en-route with CHQ/O PI
- Conduct dismounted infil to TAI [REDACTED] ;
- BPT prov OW of TA [REDACTED] ;
- Remaining tasks N/C

Spt Concepts:

N/C

s33(a)(ii)



Coord Inst – Ph2B



Locations:

TAI [REDACTED] - 42S TA 3707 5940

TAI [REDACTED] - 42S TA 3698 6109

Distance fm TAI [REDACTED] to TAI [REDACTED] – 1700m



Ph 3 – Clearance of TAIs along C/A Valley



SOM

O PI (-) will infil OP screen posns E and W of the CHENARTU/ADAMKHAN KALAY Valley.

Infil will be [redacted] s33(a)(ii).

During 13 Jun 10, N PI (-) will conduct a clearance of designated TAIs within the C/A Valley. This phase will be complete when N PI (-) has completed the clearance and is posted for [redacted] s33(a)(ii).

[redacted] s33(a)(ii).

Gp and Tasks:

HQ B66:

BPT conduct [redacted] s33(a)(ii)
[redacted] s33(a)(ii), IVO TAI [redacted] s33(a)(ii).

B66-MOR:

Tasks N/C

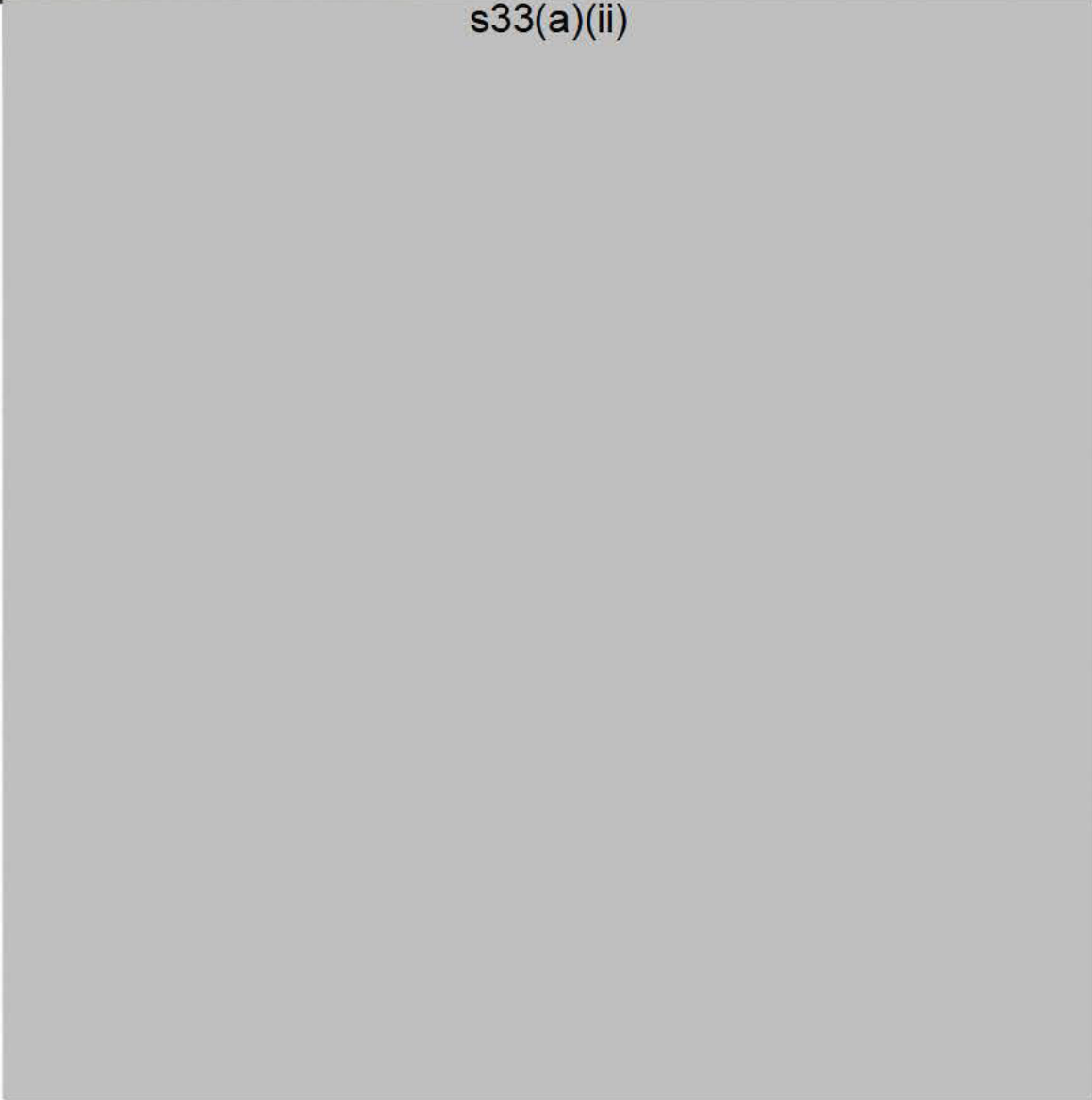
B66-SNP

BPT detach [redacted] s33(a)(ii) to O PI (-) for OP screen

BPT prov OW of TAI [redacted] s33(a)(ii)

[redacted] s33(a)(ii)

s33(a)(ii)





Ph 4 – Extraction



SOM

During POD 14/15 Jun 10, CHQ/Atts/MOR/SNP will move to vic HLZ [REDACTED] and clear and secure the area. O/N PI (-) will remain IVO TAI [REDACTED] and posture for extraction during sortie 2.

Fm 15 0001DE Jun 10, CHQ and Atts will extract by 2 x CH47 on sortie 1. The remaining C/S will extract by HLZ [REDACTED] during sortie 2.

Gp and Tasks:

HQ B66:

G: N/C

MST attaches clear HLZ [REDACTED]
[REDACTED] coord extraction

B66-MOR:

Mor elms [REDACTED] / on Acft 1st OOM

B66-SNP

BPT pathfind to HLZ [REDACTED]
BPT secure HLZ [REDACTED]

Spt Concepts:

N/C to briefed

s33(a)(ii)



HAF ALLOCATION SORTIE 1

s33(a)(ii)

s33(a)(ii)

s33(a)(ii)

s33(a)(ii)

s33(a)(ii)

s33(a)(ii)





Actions On – Ph4



✦ Embarking acft for extraction

- ✦ HLZ ^{s33(a)(ii)} is a two ship HLZ.
- ✦ Priority is to ^{s33(a)(ii)} prior to all passengers then embarking.
- ✦ Seating plan N/C to insertion.

✦ All others N/C



Coord Inst – Ph4



Key Timings – 10 Jun 10

- 1st lift W/D [REDACTED] s33(a)(ii) – TBC
- 2nd lift W/D [REDACTED] s33(a)(ii) – TBC

Locations:

- HLZ [REDACTED] s33(a)(ii) - 42S TA GR 372 595
- HLZ [REDACTED] s33(a)(ii) – 42S TA 372 613

- Distance fm TAI [REDACTED] s33(a)(ii) to HLZ [REDACTED] s33(a)(ii) – 1400m



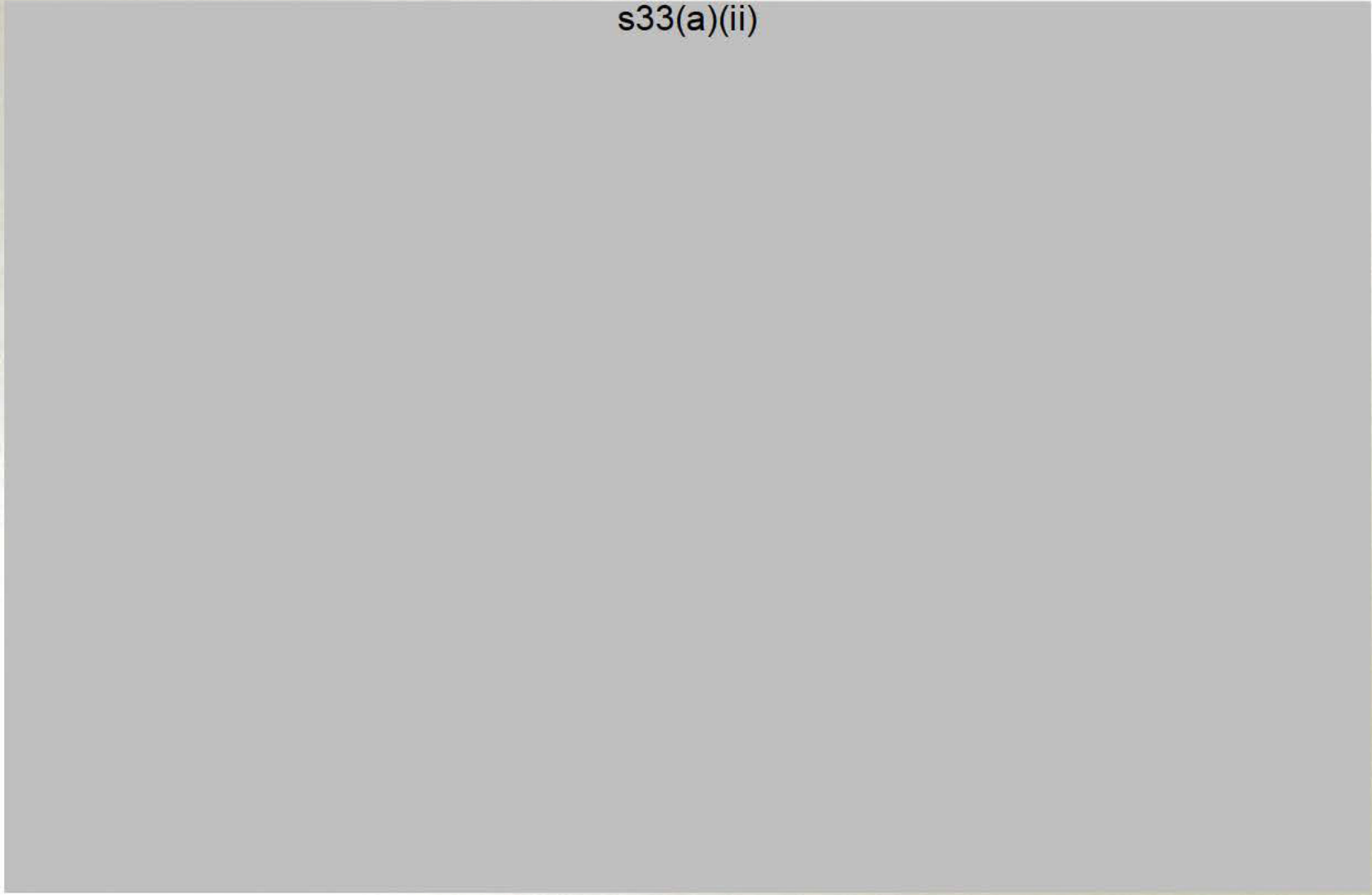
COORDINATION INSTRUCTIONS ALL PHASES



SPINS



s33(a)(ii)





[REDACTED]

IP Procedure



s33(a)(ii)





IFF



s33(a)(ii)





Admin and Log



- ✦ s33(a)(ii) on the man
- ✦ RW Resupp:
 - ▣ s33(a)(ii) at Q Store by 09 1000DE Jun 10
 - ▣ RW resupp on s33(a)(ii)
- ✦ Dress – Multi-Cam or DPCU



[REDACTED]

Comd and Sig



- ➊ No change to Coy Brief





Questions?